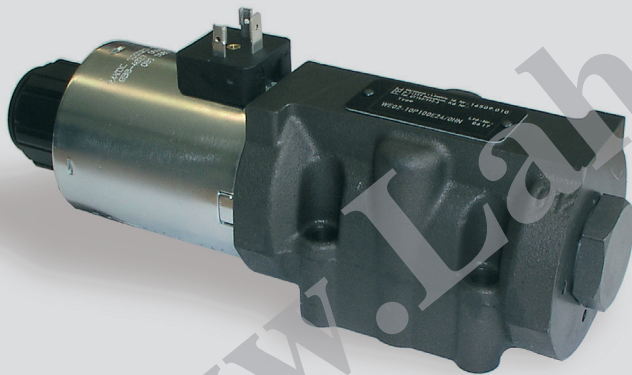


## 4/2, 4/3 Directional Control Valve, NG 10 ISO 4401, directly controlled Technical Data Sheet



## Technische Daten

### Allgemein

Type	piston valve
Operation	electric
Mounting	4x M6x40 DIN912
Connection of ports	mounting plate
Mounting position	mountable in any position
Ambient temperature	-5 to +50 °C
Mass valve	3,9 kg (one solenoid) 5,4 kg (two solenoids)

### Hydraulic

Operation pressure P,A,B	315 bar
Operation pressure T	210 bar
Hydraulic oil temperature	-30 to +80 °C
Viscosity range	20 bis 400 mm <sup>2</sup> /s
max. flow	120 l/min

### Electric

Voltage (±10%)	24 V DC	230V, 50Hz AC
Switching time on *	90 ms	160 ms
Switching time off **	70 ms	100 ms
Power consumption P20	32 W	
Start up peak P20		50 VA
Duty factor	100%	100%
Protection system DIN	IP65	IP65
40050		

\* at 24V DC ± 5%

\*\* at terminal voltage = -50V at free circuit

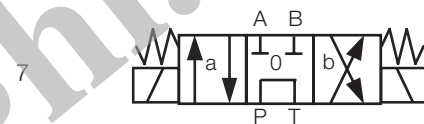
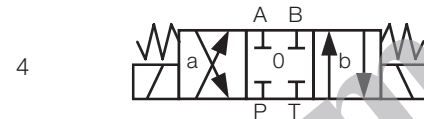
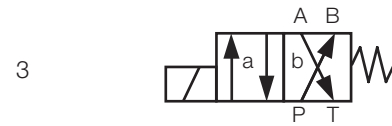
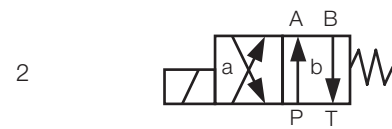
### Features

- directly controlled piston valve
- high switching capacity
- saving energy by low flow resistance
- preassure sealed oli-immersed solenoids for direct or alternating current
- easy service: solenoid can be changed without leakage while the valve is under system pressure; no tools are required
- solenoids can be rotated 3 x 90°, allowing alternative connector positions
- port connection pattern according to ISO 4401

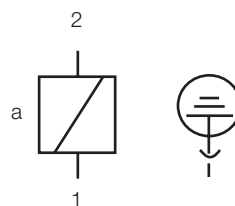
### Options

- alternativ voltage
- alternative symbols - data sheet: 14607-DSH
- alternativ plugs

## Symbol

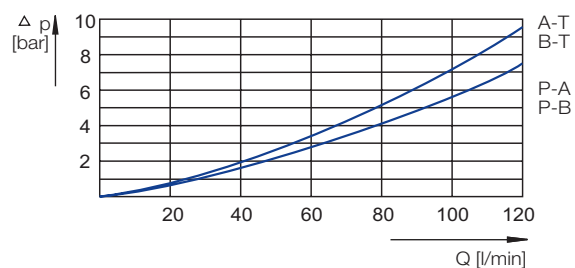


## Electrical Connection



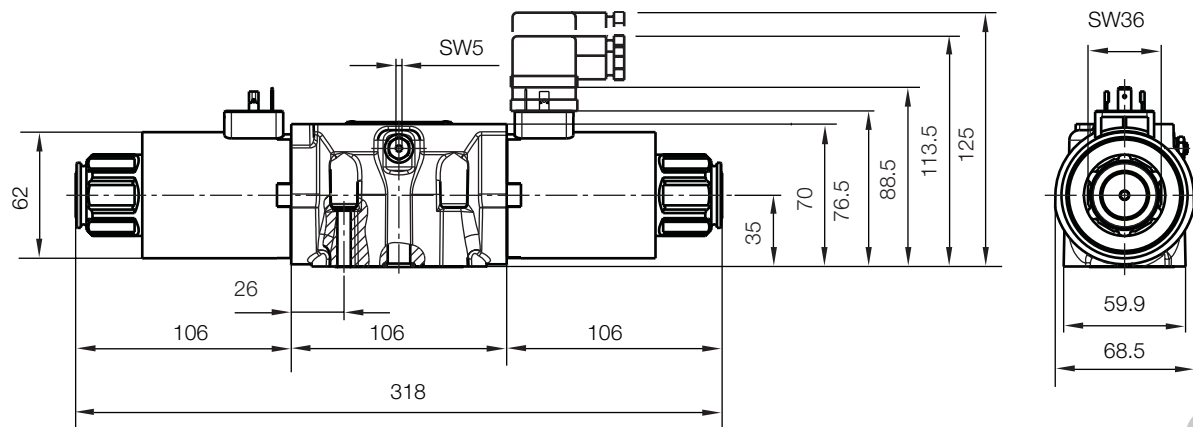
connector-type: DIN 43650, design A

## Characteristic Curve



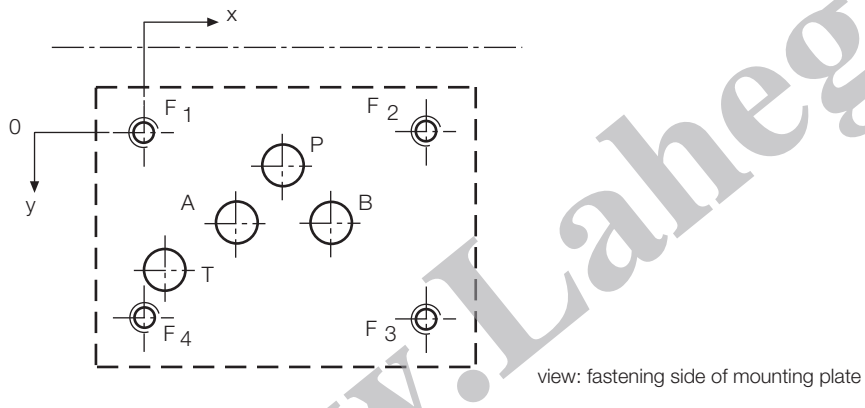
hydraulic oil 35 mm<sup>2</sup>/s, 50°C

## Dimensional Drawing



dimensions in mm  
 plug is not included  
 mounting screws are not included, 4 pcs. M6x40 DIN 912, M=15 Nm

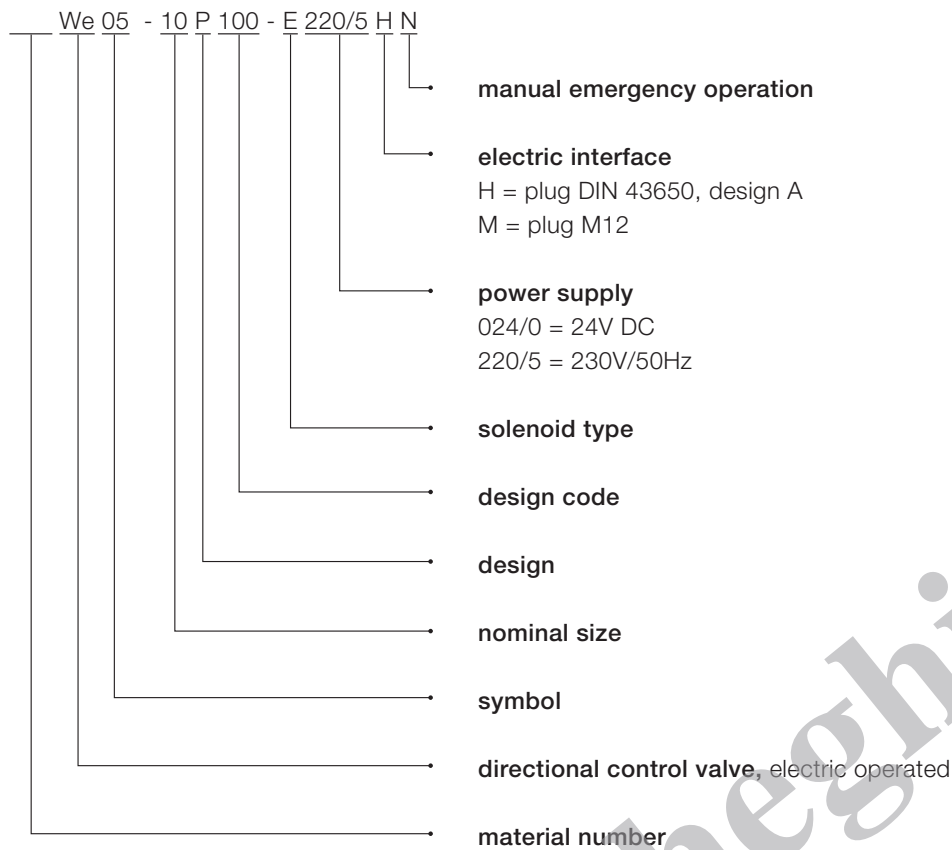
## Port Connection Pattern NG10 ISO 4401



	P	A	T	B	F1	F2	F3	F4
Ø max [mm]	11,2	11,2	11,2	11,2	M6	M6	M6	M6
x [mm]	27	16,7	3,2	37,3	0	54	54	0
y [mm]	6,3	21,4	32,5	21,4	0	0	46	46

dimensions in mm  
 F: M5, thread depth min. 1.5 x Ø  
 Various single and multiple mounting plates are available.

## Type Code



This is a translated document. Original language: german.  
Legally binding language version of document: german.

Voith Turbo H + L Hydraulic GmbH & Co. KG  
Schuckertstraße 15  
71277 Rutesheim, Germany  
Tel. +49 7152 992 3  
Fax +49 7152 992 400  
sales-rut@voith.com  
www.voith.com/hydraulic-systems



**VOITH**  
Engineered Reliability